

### DF6100-EH Doppler Handheld Ultrasonic Flow Meter

**Series DF6100-EH Doppler Handheld Ultrasonic Flow Meter** is designed to measure volumetric flow of within closed conduit, the pipe line must be full of liquids, and there must be a certain amount of air bubbles or suspended solids in liquid.

The Doppler ultrasonic flow meter can display flow rate and flow totalizer, etc., and is configured with 4-20mA, OCT outputs



#### Features:

- ◆ It is suitable for pipe sizes ranging from 40 to 4000mm
- ◆ For dirty liquids, a certain amount of air bubbles or suspended solids shall be contained
- ◆ Excellent low flow rate measurement ability, low to 0.05m/s
- ◆ A wide range of flow measurement, high flow rate can reach 12m/s
- ◆ High-temperature transducer is suitable to liquids of  $-35^{\circ}\text{C} \sim 200^{\circ}\text{C}$
- ◆ Do not need to shut down the pipe flow when installing the transducers
- ◆ User-friendly configuration
- ◆ 4-20mA, OCT outputs
- ◆ Accuracy: 2.0% Calibrated span
- ◆ Rechargeable battery can work up to 14 hours

#### Applications:

- ◆ Raw sewage
- ◆ Activated sludge
- ◆ Ground water
- ◆ Pulp and paper slurries
- ◆ Chemical slurries
- ◆ Drainage
- ◆ Mining recirculation

### Technical Parameters:

#### Specifications: Transmitter

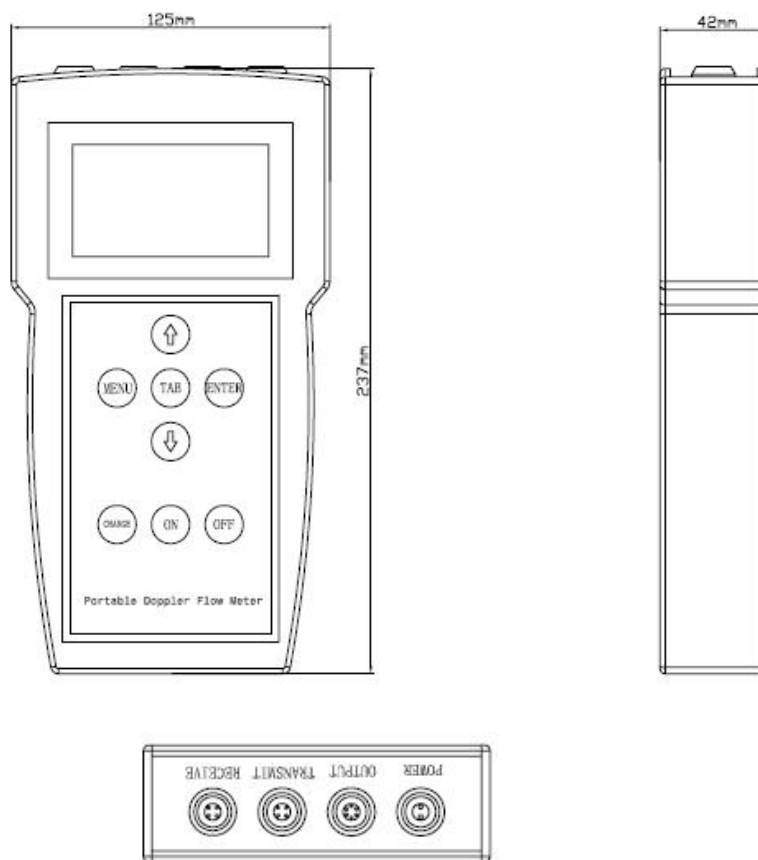
Measurement principle	Doppler ultrasonic
Resolution	0.25mm/s
Repeatability	0.5% of reading
Accuracy	0.5% -- 2.0% F.S.
Response time	2-60s for optional
Flow Velocity Range	0.05- 12 m/s
Liquid Types Supported	Liquids containing 100ppm of reflectors and at least 20% of the reflectors are larger than 100 micron.
Power Supply	AC: 85-265V
Enclosure type	Handheld
Degree of protection	IP65 according to EN60529
Operating temperature	-20°C to +60°C
Housing material	ABS
Measurement Channels	1
Display	2 line × 8 characters LCD, 8-digit rate or 8-digit total (resettable)
Units	User Configured (English and Metric)
Rate	Rate and Velocity Display
Totalized	gallons, ft <sup>3</sup> , barrels, lbs, liters, m <sup>3</sup> ,kg
Communication	4-20mA,OCT output
keypad	6pcs buttons
Size	Transmitter:237X125X42mm case:410X320X80mm
Weight	0.6kg

#### Specifications: Transducer

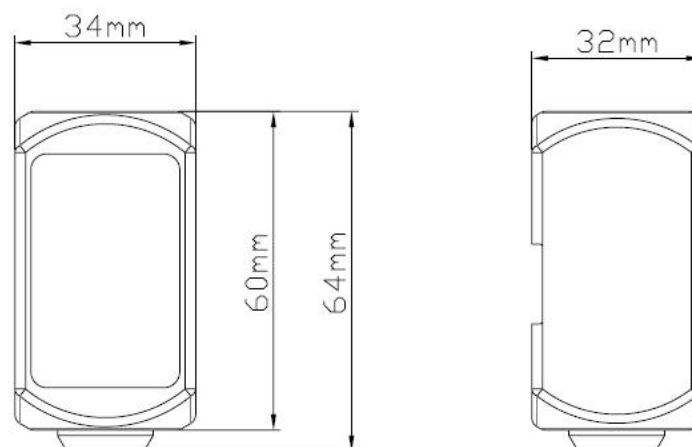
Transducers Type	Clamp-on
Degree of protection	IP65. IP67 or IP68 according to EN60529
Suited Liquid Temperature	Std. Temp.: -35°C~85°C for short periods up to 120°C High Temp.: -35°C~200°C for short periods up to 250°C
Pipe diameter range	40-4000 mm
Transducer Size	60(h)*34(w)*32(d)mm
Material of transducer	Aluminum for standard temp. sensor,and peek for high temp. sensor
Cable Length	Std: 5m

### Dimensional Sketches

#### Transmitter:



#### Transducer:



### Images:



Transmitter



Transducers



S-S Belt



Couplant



Portable Case

### Configuration Code:

<b>DF6100-EH</b>	<b>Handheld Doppler Clamp-on Series Flowmeters</b>
<b>Power supply</b>	
A	85-265VAC
<b>Output Selection 1</b>	
N	N/A
1	4-20mA
2	OCT
<b>Output Selection 2</b>	
Same as above	
<b>Sensor Type</b>	
D	Standard Clamp-on transducer (DN40-4000)
<b>Transducer Temperature</b>	
S	-35 ~ 85°C (for short periods up to 120°C)
H	-35 ~ 200°C ( Only for S,M sensor. )
<b>Pipeline Diameter</b>	
DNX	e.g.DN40—40mm, DN4000—4000mm
<b>Cable length</b>	
5m	5m (standard 5m)
Xm	Common cable Max 300m(standard 5m)
XmH	High temp. cable Max 300m

**DF6100-EH - A - 1 /LDH- D - S - DN100 - 5m (example configuration)**